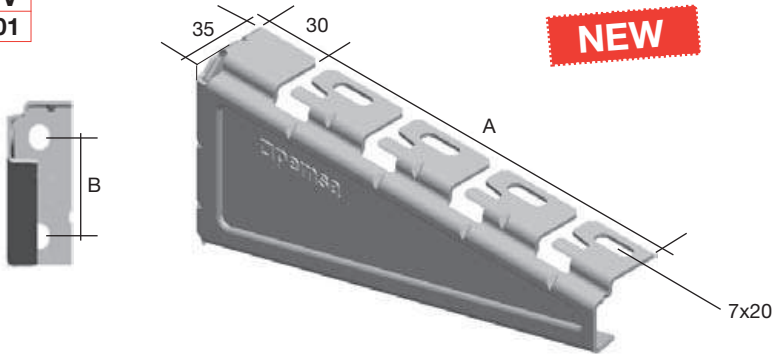


**SINGLE SUPPORT COMPATIBLE WITH ALL TRAY TYPES.
E.G. WIRE MESH TRAY, METAL TRAY, PVC ETC.**

Medium Duty Cantilever **RPLUS** P.G.

GTV
2201

NEW

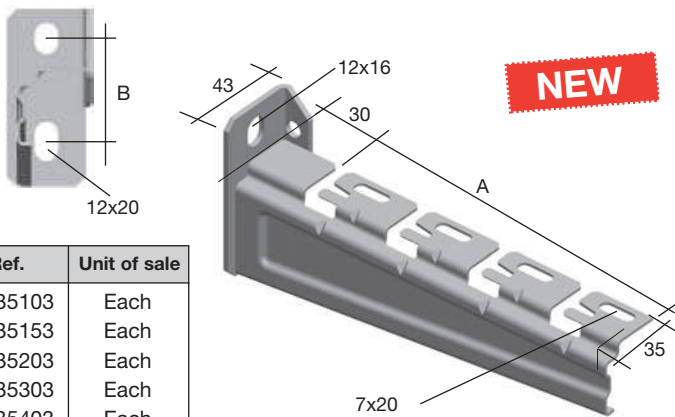


P.G.		
A x B	Ref.	Unit of sale
100x54	62025103	Each
150x54	62025153	Each
200x54	62025203	Each
300x54	62025303	Each
400x92	62025403	Each
500x92	62025503	Each
600x92	62025603	Each

Medium Duty Cantilever **RPLUS** H.D.G. and S.S. 316

GTV
2201

NEW



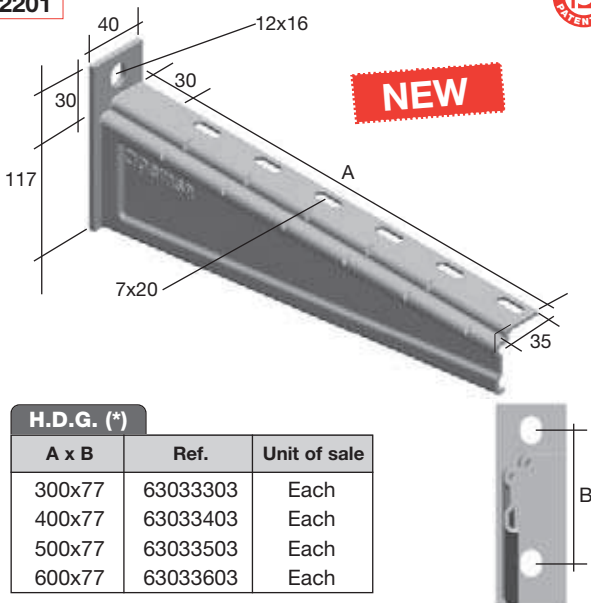
H.D.G. (*)		
A x B	Ref.	Unit of sale
100x52	62035103	Each
150x52	62035153	Each
200x52	62035203	Each
300x52	62035303	Each
400x79	62035403	Each
500x79	62035503	Each
600x79	62035603	Each

S.S. 316		
A x B	Ref.	Unit of sale
100x52	62065103	Each
150x52	62065153	Each
200x52	62065203	Each
300x52	62065303	Each
400x79	62065403	Each
500x79	62065503	Each
600x79	62065603	Each

Heavy Duty Cantilever **RPLUS**

GTV
2201

NEW

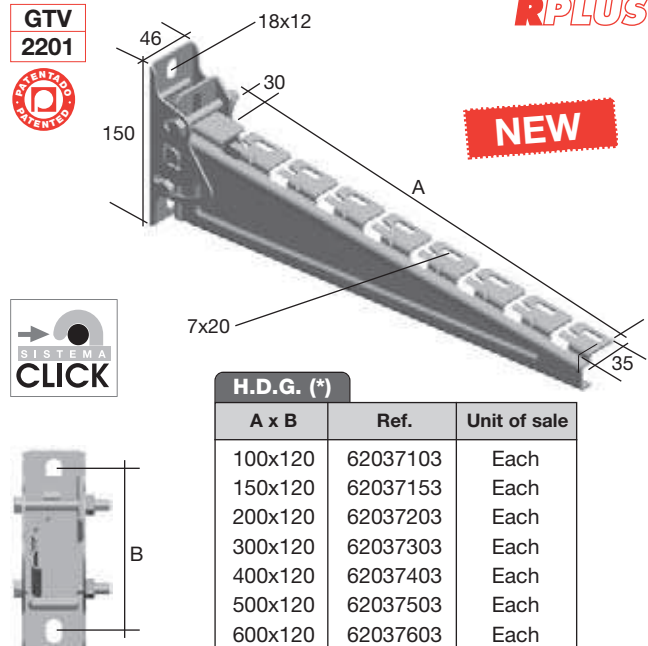


H.D.G. (*)		
A x B	Ref.	Unit of sale
300x77	63033303	Each
400x77	63033403	Each
500x77	63033503	Each
600x77	63033603	Each

Adjustable Heavy Duty Cantilever **RPLUS**

GTV
2201

NEW



H.D.G. (*)		
A x B	Ref.	Unit of sale
100x120	62037103	Each
150x120	62037153	Each
200x120	62037203	Each
300x120	62037303	Each
400x120	62037403	Each
500x120	62037503	Each
600x120	62037603	Each

(*) The hot dip galvanized finish is NOT AN ACCURATE AESTHETIC FINISH. It is a very effective corrosion protection. COLOUR DIFFERENCES CAN OCCUR (shades of grey), brightness and surface finish (roughness, smoothness), created during the process employed. This is normal and does NOT AFFECT THE QUALITY AND DURATION OF THE ANTI-CORROSION PROTECTION.