

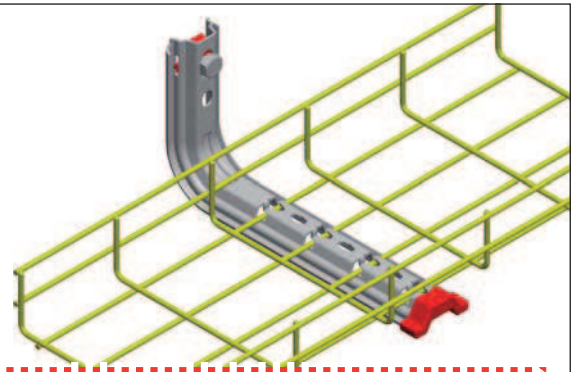
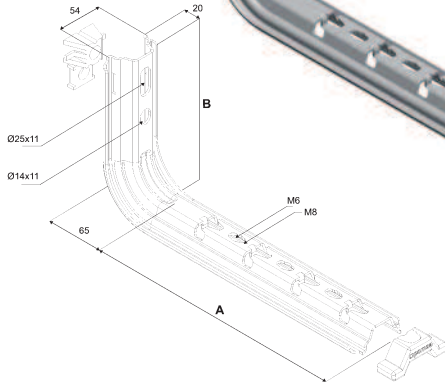


Omega bracket universal **SPLUS**

GTV
2201



NEW



NEW CLICK SYSTEM giving an easy and quick installation for ALL of the trays on the market. Wire Mesh and Sheet Steel.

NEW REINFORCED PROFILE increases the load capacity and the fitting of the tray.

The supports can be easily stacked, thanks to the new profile and protector plug, therefore assisting in storage and logistics.

Includes an Omega Plug (pre-assembled) and the New Omega protector which:-

- * Guarantees and improves the performance of the OMEGA SUPPORTS.
- * Makes installation easier and aids the proper fitting of the support.

P.G.

A	Ref.	Unit of sale
100	62021104	Each
150	62021154	Each
200	62021204	Each
300	62021304	Each
400	62021404	Each

H.D.G. (*)

A	Ref.	Unit of sale
100	62031104	Each
150	62031154	Each
200	62031204	Each
300	62031304	Each
400	62031404	Each

S.S.316.

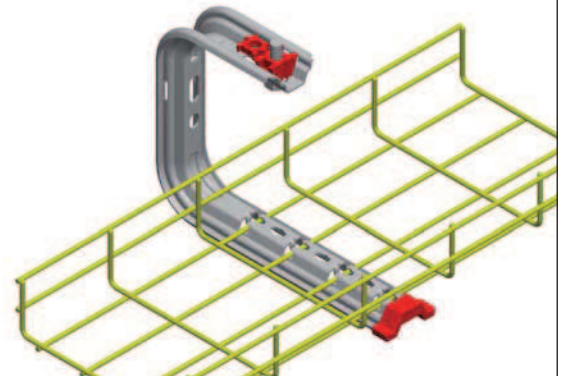
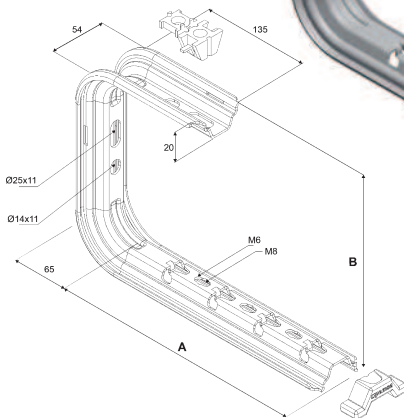
A	Ref.	Unit of sale
100	62061104	Each
150	62061154	Each
200	62061204	Each
300	62061304	Each
400	62061404	Each

Omega ceiling bracket **SPLUS**

GTV
2201



NEW



NEW CLICK SYSTEM giving an easy and quick installation for ALL of the trays on the market. Wire Mesh and Sheet Steel.

NEW REINFORCED PROFILE increases the load capacity and the fitting of the tray.

The supports can be easily stacked, thanks to the new profile and protector plug, therefore assisting in storage and logistics.

Includes an Omega Plug (pre-assembled) and the New Omega protector which:-

- * Guarantees and improves the performance of the OMEGA SUPPORTS.
- * Makes installation easier and aids the proper fitting of the support.

P.G.

A	Ref.	Unit of sale
100	62022104	Each
150	62022154	Each
200	62022204	Each
300	62022304	Each
400	62022404	Each

H.D.G. (*)

A	Ref.	Unit of sale
100	62032104	Each
150	62032154	Each
200	62032204	Each
300	62032304	Each
400	62032404	Each

S.S. 316

A	Ref.	Unit of sale
100	62062104	Each
150	62062154	Each
200	62062204	Each
300	62062304	Each
400	62062404	Each

(*) The hot dip galvanized finish is NOT AN ACCURATE AESTHETIC FINISH. It is a very effective corrosion protection. COLOUR DIFFERENCES CAN OCCUR (shades of grey), brightness and surface finish (roughness, smoothness), created during the process employed. This is normal and does NOT AFFECT THE QUALITY AND DURATION OF THE ANTI-CORROSION PROTECTION.