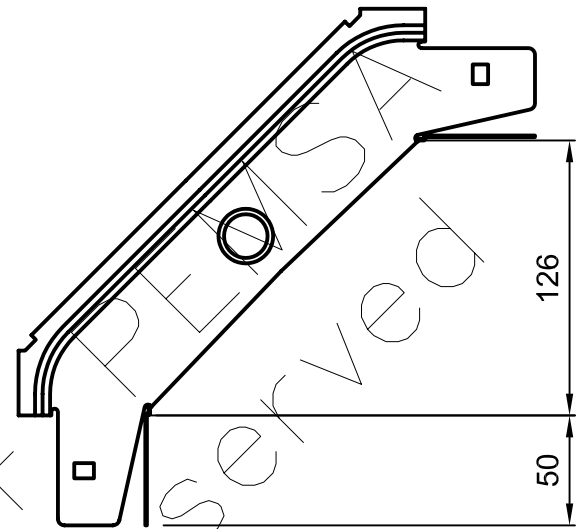
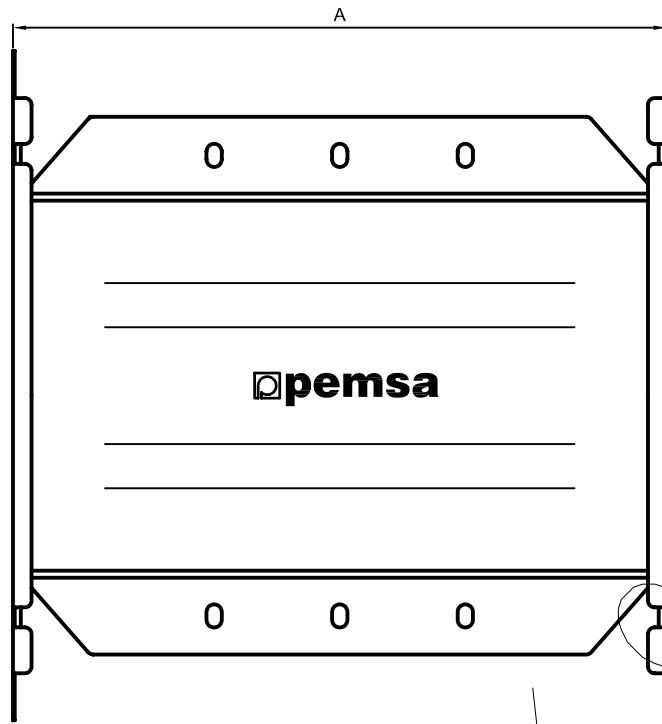


Property of PEMSA. All rights reserved. Contains privileged and confidential information protected from disclosure by law. Strictly prohibited any dissemination, distribution, copying or use of this document for any purpose, without previous and explicit authorization by Pemsas



Reference (GC/GS)	size tray	A
70 036 110 / 26 110	35	100
70 036 115 / 26 115		150
70 036 120 / 26 120		200
70 036 130 / 26 130		300
70 036 210 / 26 210	60	100
70 036 215 / 26 215		150
70 036 220 / 26 220		200
70 036 230 / 26 230		300
70 036 240 / 26 240		400
70 036 250 / 26 250		500
70 036 260 / 26 260	85	600
70 036 320 / 26 320		200
70 036 330 / 26 330		300
70 036 340 / 26 340		400
70 032 350 / 22 350		500
70 032 360 / 22 360		600

MEASURES LISTED
ARE ONLY REFERENCE VALUE
FOR MOUNTING
NOT BEING SUITABLE FOR
MANUFACTURE
OR QUALITY CONTROL

Nº REVISION Nº REVISION		MODIFICACION MODIFICATION		Nº REVISION Nº REVISION		MODIFICACION MODIFICATION	
	FECHA DATE	NOMBRE NAME	FIRMAS SIGNATURE	TOL GENERAL SEGÚN: DIN 7168 GRADO GRUESO (G) GENERAL TOLERANCE: DIN 7168 CLASS COARSE (G)			
DIBUJADO DRAWN	29/10/09	D. Millanes		0,5 / 3	± 0,15	30 / 120	± 0,8
COMPROBADO CHECKED	29/10/09	Carlos D.		3 / 6	± 0,2	120 / 400	± 1,2
				6 / 30	± 0,5	400 / 1000	± 2
DENOMINACION: / DENOMINATION: Esquema Accesorio PEMSABAND® Cambio Nivel CNV				Nº PLANO: / DRAWING Nº: PLES0121		EDICION EDITION A	
ESCALA: SCALE S/E				SUSTITUIDO POR:		REVISION REVISION	
NIV.-CONF.: 3				SUSTIT. A:		1	

pemsas