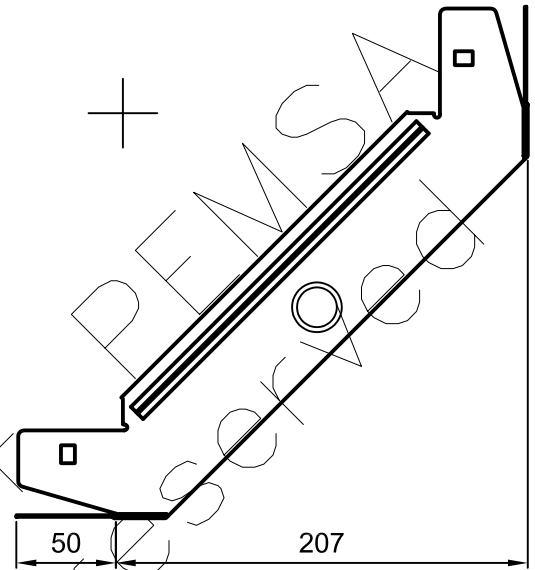
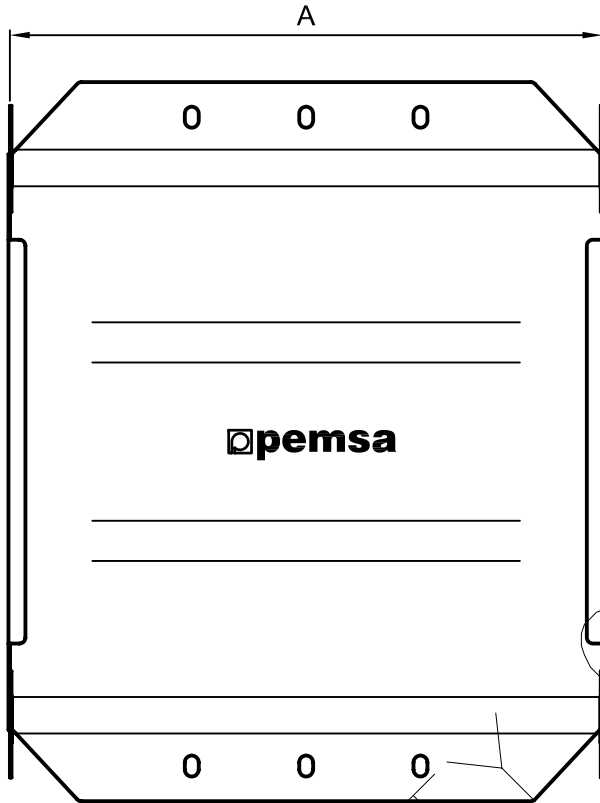


Property of PEMSA. All rights reserved. Contains privileged and confidential information protected from disclosure by law. Strictly prohibited any dissemination, distribution, copying or use of this document for any purpose, without previous and explicit authorization by Pemsa



Reference (GC/GS)	size tray	A
70 035 110 / 25 110	35	100
70 035 115 / 25 115		150
70 035 120 / 25 120		200
70 035 130 / 25 130		300
70 035 210 / 25 210	60	100
70 035 215 / 25 215		150
70 035 220 / 25 220		200
70 035 230 / 25 230		300
70 035 240 / 25 240	85	400
70 035 250 / 25 250		500
70 035 260 / 25 260		600
70 035 320 / 25 320		200
70 035 330 / 25 330	85	300
70 035 340 / 25 340		400
70 035 350 / 25 350		500
70 035 360 / 25 360		600

MEASURES LISTED  
ARE ONLY REFERENCE VALUE  
FOR MOUNTING  
NOT BEING SUITABLE FOR  
MANUFACTURE  
OR QUALITY CONTROL

Nº REVISION Nº REVISION		MODIFICACION MODIFICATION		Nº REVISION Nº REVISION		MODIFICACION MODIFICATION		
DIBUJADO DRAWN	FECHA DATE	NOMBRE NAME	FIRMAS SIGNATURE	TOL GENERAL SEGÚN: DIN 7168 GRADO GRUESO (G) GENERAL TOLERANCE: DIN 7168 CLASS COARSE (G)				
COMPROBADO CHECKED	29/10/09	D. Millanes		0,5 / 3	± 0,15	30 / 120	± 0,8	
	29/10/09	Carlos D.		3 / 6	± 0,2	120 / 400	± 1,2	
				6 / 30	± 0,5	400 / 1000	± 2	
ESCALA: SCALE	DENOMINACION: / DENOMINATION:						Nº PLANO: / DRAWING Nº:	EDICION EDITION
S/E	Esquema Accesorio PEMSABAND® Cambio Nivel CNC						PLES0120	A
NIV.-CONF.: 3							SUSTITUIDO POR:	
	SUSTIT. A:						1	

