

DESCRIPTION

A range of omega profile supports with click and normal connection system and safety stoppers for the installation of both Rejiband and Pemsaband trays on ceiling.

ADVANTAGES

- The click system for quick assembly to the tray makes mounting fast and economical.
- Cold-rolled support with omega profile, for higher load capacity.
- Safety stopper and Omega protective cap included with the support at no extra cost.
- When mounting on a ceiling, the stopper makes assembly easier and prevents the support from turning.
- When mounting on a wall, the use of the stopper guarantees and improves the mechanical properties of the omega supports.
- The stopper prevents the omega support from being crushed and the wall plug from coming loose.



- CERTIFICATIONS -



QUALITY MARKS

- This product is certified by the AENOR **N mark**, complying with UNE-EN 61537, Cable tray systems and cable ladder systems for cable management.
- **E90** Fire Performance certificate in compliance with DIN 4102-12. (See fire performance section.)
- **CE** mark in compliance with Low Voltage Directive 2006/95 EC.

Surface Protection and Resistance to Corrosion:

Cr^{VI} -free finish in compliance with Directive 2002/95/EC RoHS.

- **Galvanised Sendzimir** in compliance with standard UNE-EN 10142. Class 3 protection in compliance with product standard UNE-EN 61537. Zinc protection adequate for indoor installations.
- **Hot-dip galvanised** in compliance with UNE-EN ISO 1461. Class 5 protection. Appropriate for outdoor installations and aggressive environments.

Uses:

Support for Rejiband and Pemsaband trays for mounting on preinstalled ceilings. Suitable for light and medium loads. Click system for Rejiband tray supports and normal system with screws for Pemsaband trays.

Appropriate for electrical and/or telecommunication installations in: civil engineering projects, tunnels, car parks, public buildings shopping centres. Large infrastructures, airports, train and underground lines, etc. Tertiary sector and industrial uses: naval, petrochemical, textile, chemical, food products.

Technical data sheet 108.01

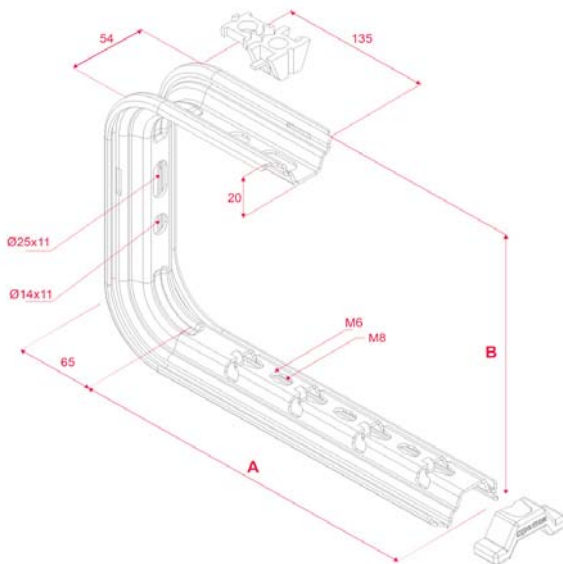
Omega SPLUS Ceiling Support

STRUCTURE

Raw material:
Steel with surface protection.

Structure:
Omega shaped section for greater support strength and firmness. Includes a preassembled plastic safety stopper that improves and guarantees support performance, making it easy to mount and place correctly. The click system for quick assembly to the tray makes mounting fast and economical.

Measurements: (See illustration and tables.)



Type	Total length (mm)	Height (mm)	Section of the Profile (mm)
100	165	190	54x20
150	200	190	54x20
200	265	190	54x20
300	365	190	54x20
400	465	190	54x20

MECHANICAL STRENGTH

Maximum load or AWL, admissible workload per support in Newtons in compliance with UN-EN 61537. Safety coefficient of 1.7 without collapsing.

Type	Load Capacity (N)
100x135	760
150x135	960
200x135	800
300x135	650
400x135	340

TECHNICAL CHARACTERISTICS, according to UNE-EN-61537.

Electrical Continuity:

An electricity conductor that maintains electrical continuity with the Rejiband trays and ensures equipotential connection.

Fire performance:

Completely free of fire-related risks, fire spreading risks or toxic or opaque smoke emission. Classified as non-flammable, **M0** according to the Basic Building Standard NBE-CPI/96 and as A1 according to the Technical Building Code.

Fire resistance classification **E90** (90 minutes and 1000°C), according to standard DIN 4102-12 for Fire behaviour of building materials and elements, fire resistance of electric cable systems required to maintain circuit integrity, depending on references and installations.

Service temperature:

Used with the plastic safety stopper: -5°C to +90°C
Used without the plastic safety stopper: -20°C to +120°C